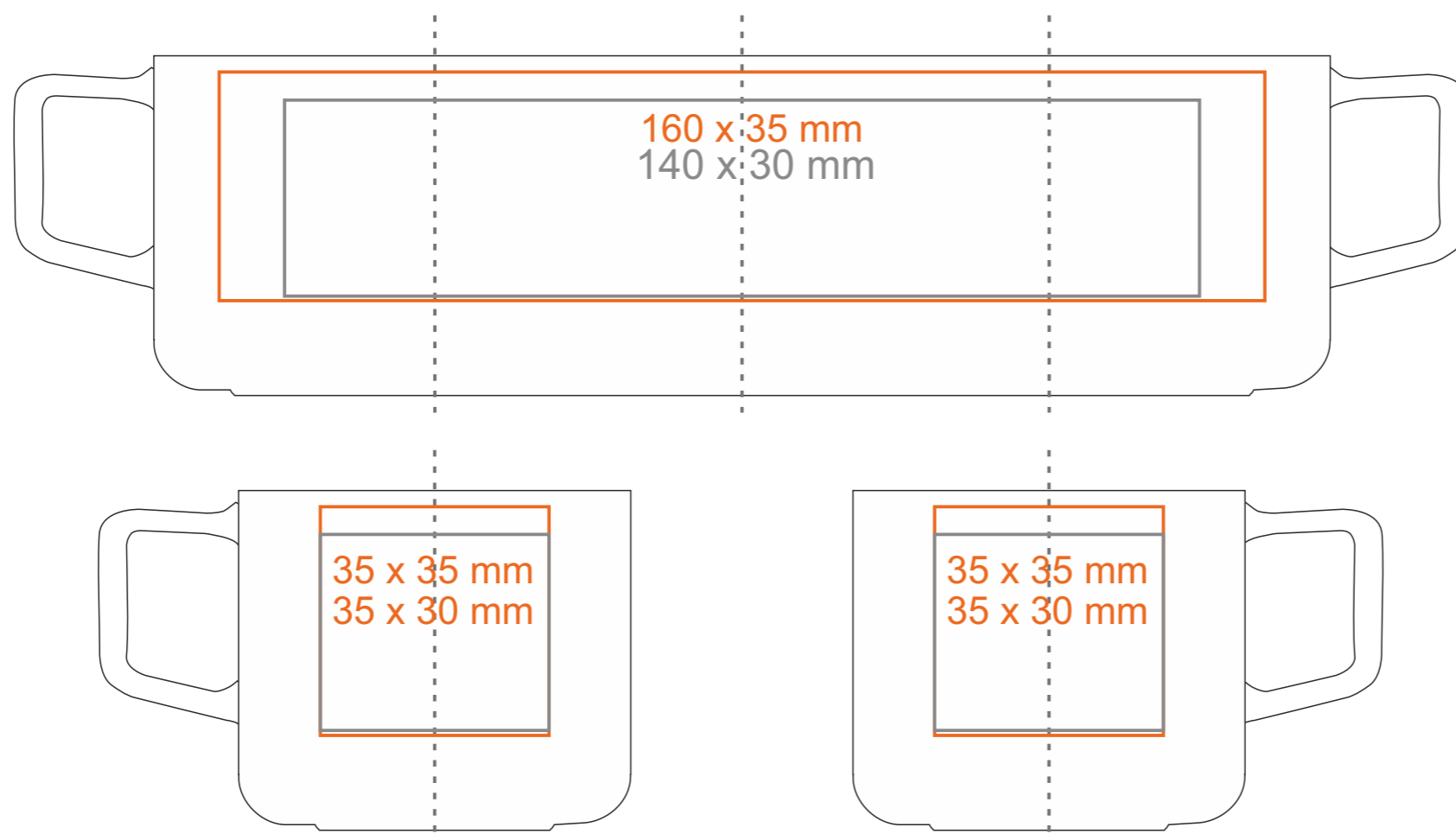
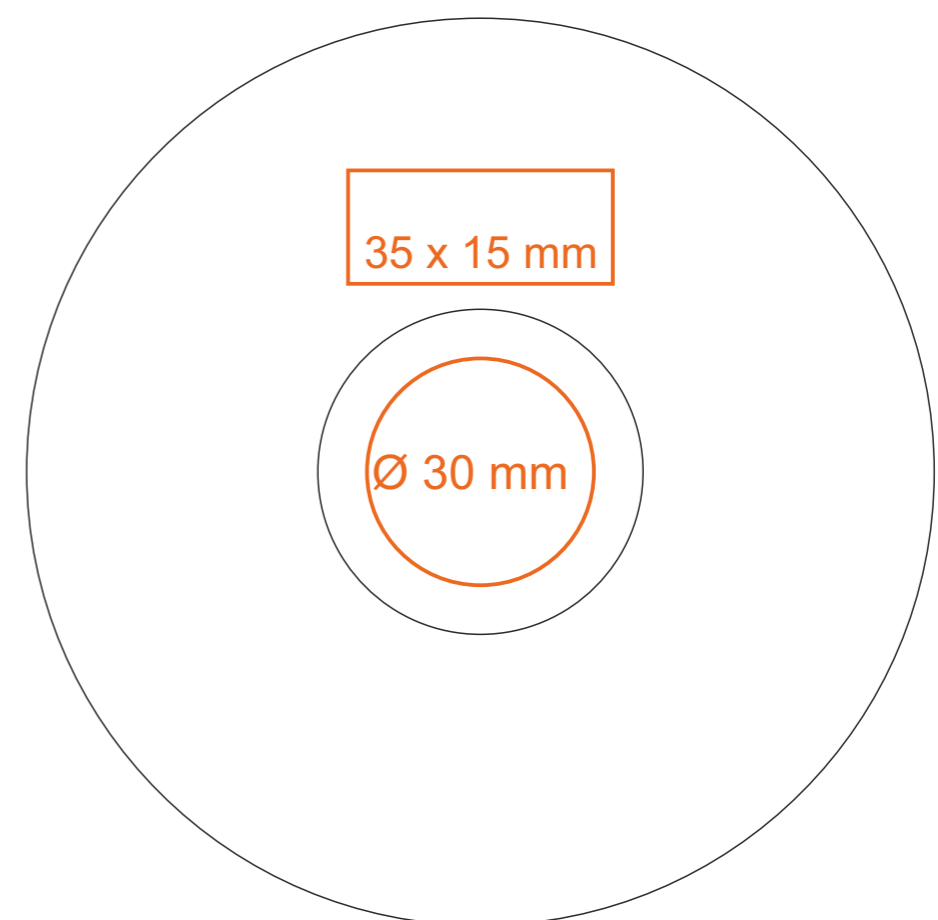


C_243 Horizon Set

80 ml / h: 52 mm / Ø 60 mm



Spodek Ø 120 mm



Imprint on the handle

- 15 x 9 mm

Imprint on the inside

- 35 x 15 mm

Imprint on the bottom outside

- Ø 30 mm

*In the case of projects for transfer print running outside of the standard print area, please contact our sales department.

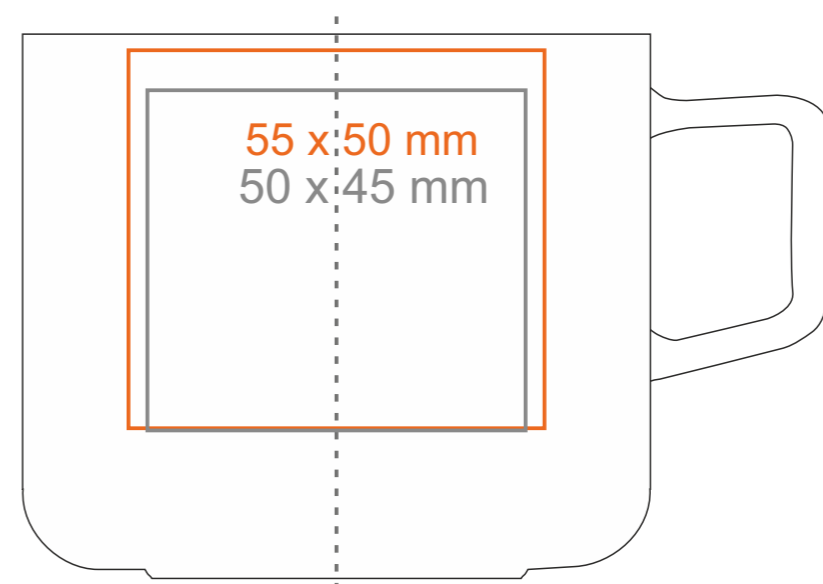
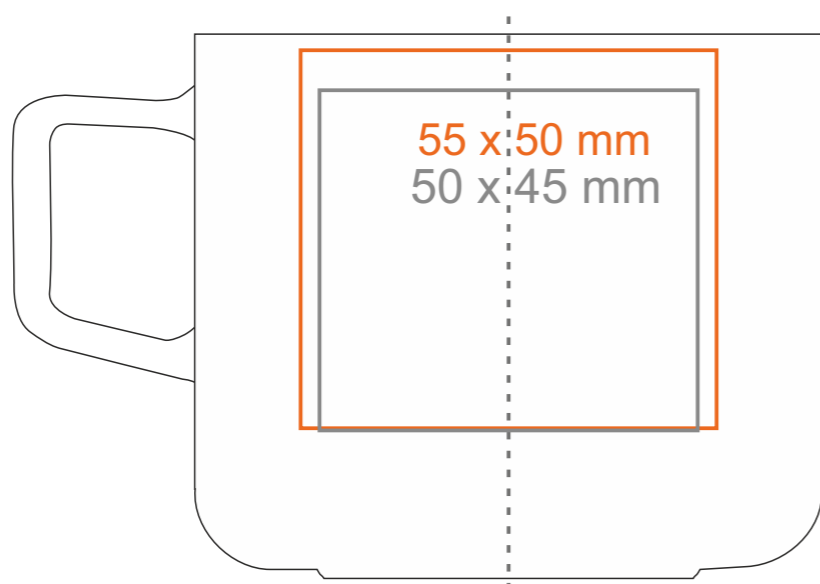
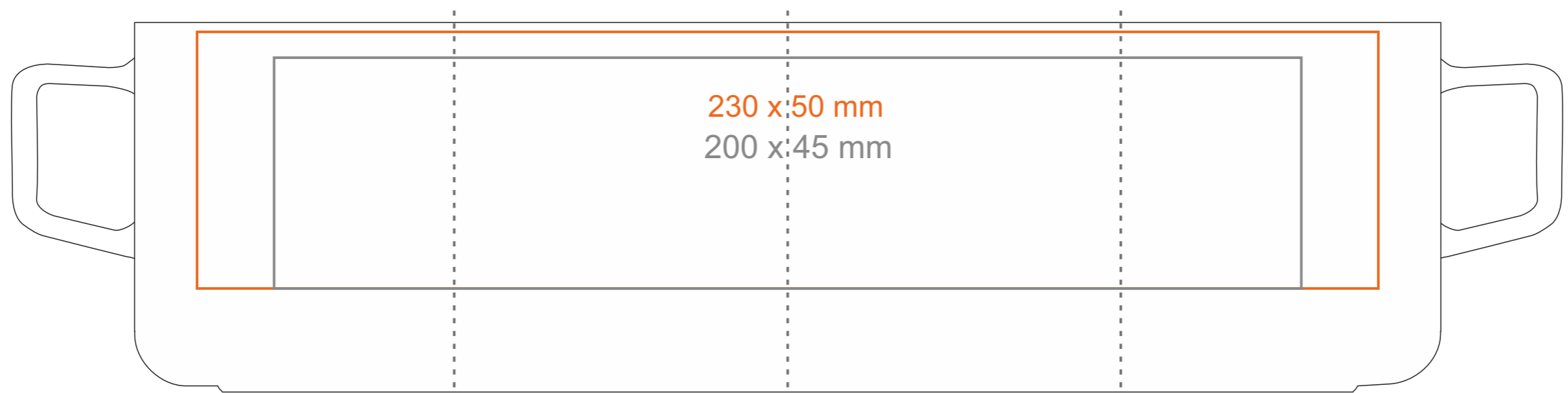
[How to prepare print material](#)

meaning

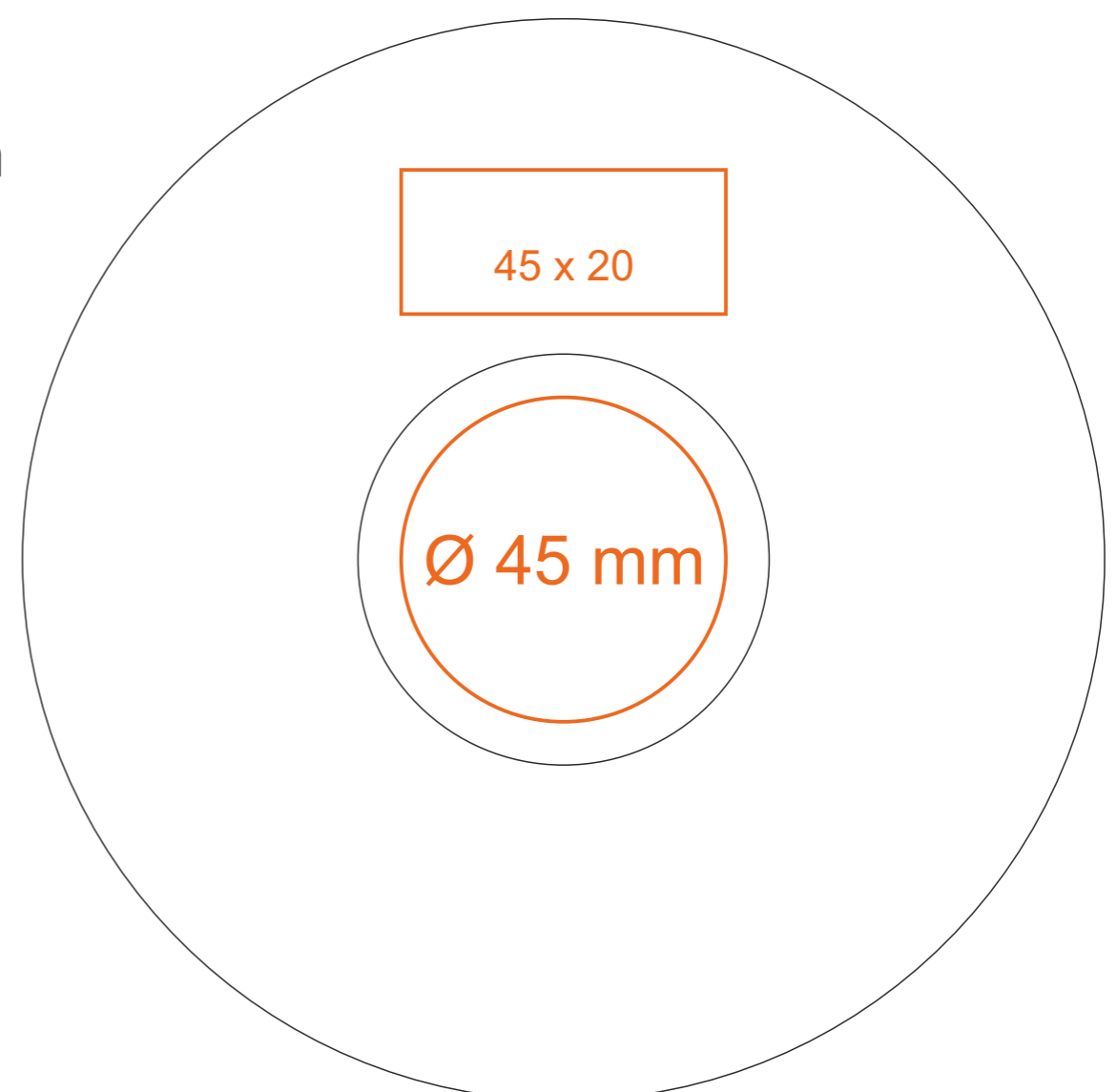
- Transfer Print
- Sensitive Touch
- Direct Print

C_243 Horizon Set

240 ml / h: 72 mm / Ø 83 mm



Spodek Ø 150 mm



Imprint on the handle
Imprint on the inside
Imprint on the bottom inside
Imprint on the bottom outside

- 20 x 10 mm
- 45 x 20 mm
- Ø 50 mm
- Ø 20 mm

*In the case of projects for transfer print running outside of the standard print area, please contact our sales department.

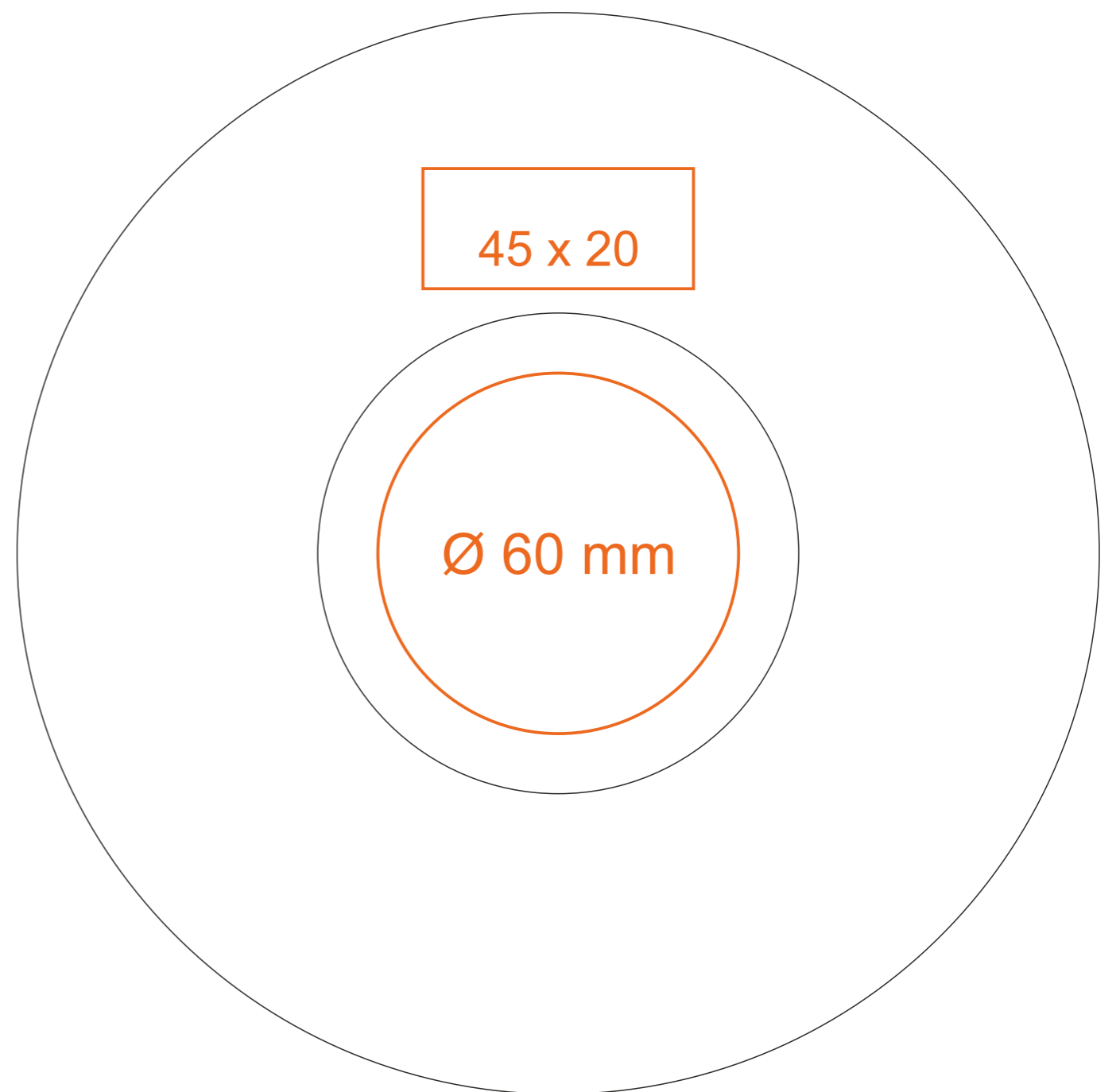
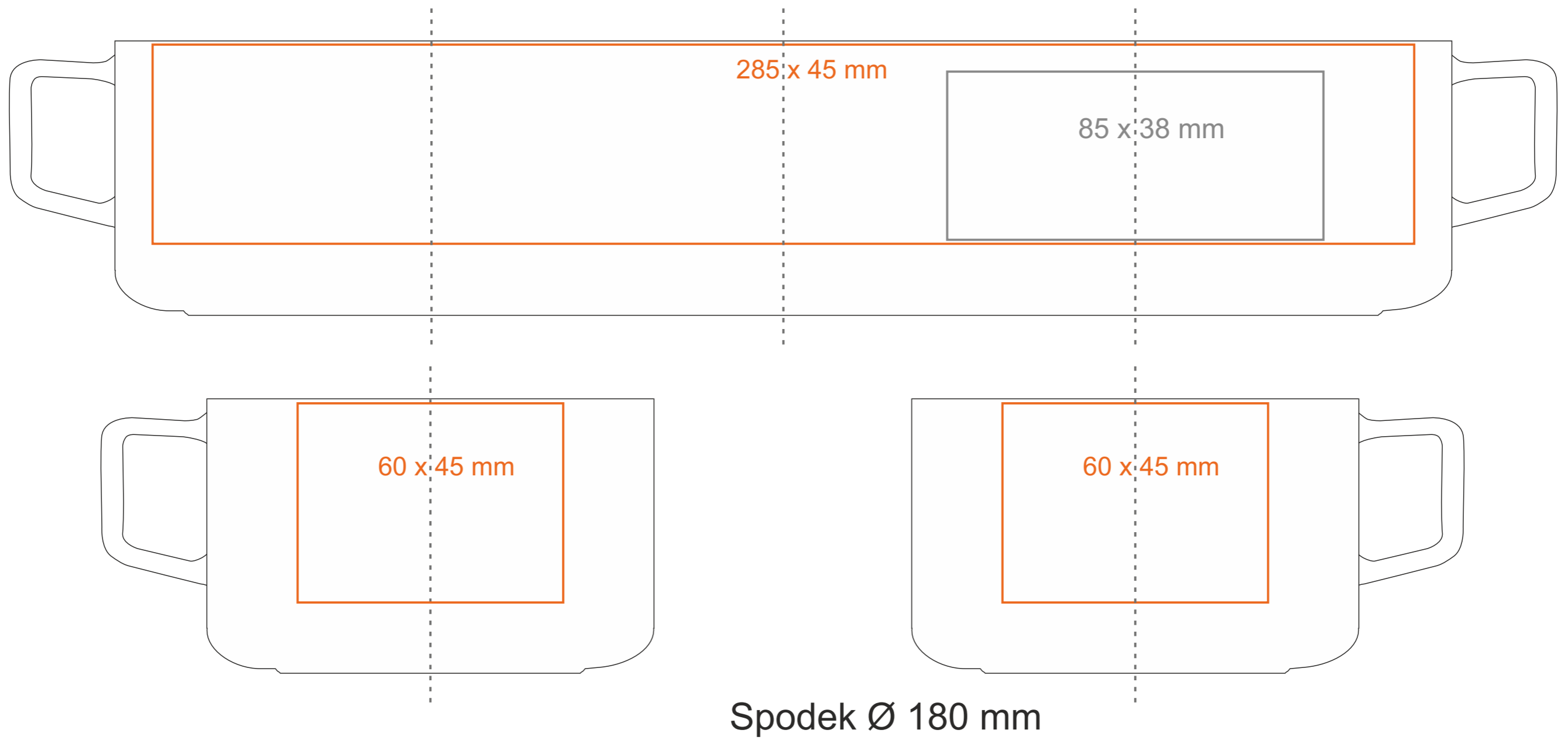
[How to prepare print material](#)

meaning

- Transfer Print
- Sensitive Touch
- Direct Print

C_243 Horizon Set

280 ml / h: 62 mm / Ø 101 mm



Imprint on the handle
 Imprint on the inside
 Imprint on the bottom inside
 Imprint on the bottom outside

- 20 x 10 mm
- 50 x 20 mm
- Ø 60 mm
- Ø 35 mm

*In the case of projects for transfer print running outside of the standard print area, please contact our sales department.

[How to prepare print material](#)

meaning

- Transfer Print
- Sensitive Touch
- Direct Print